

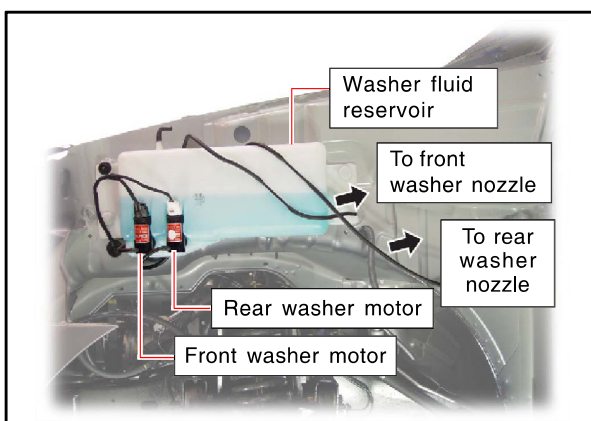
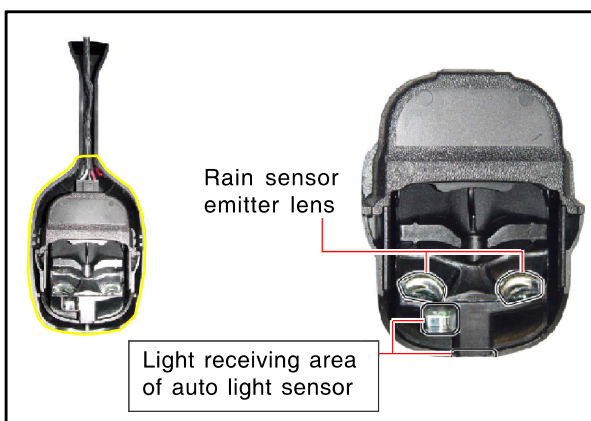
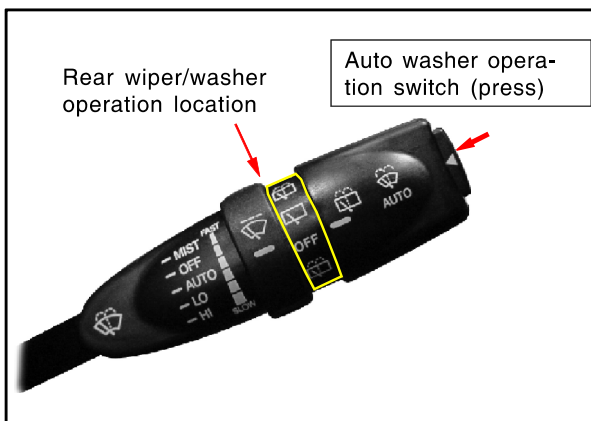
WIPER AND WASHER

7810-01

OVERVIEW AND OPERATION PROCESS

1. OVERVIEW

The wiper and washer system are controlled by STICS according to driver's wiper switch operation. And the detection of rain drops by rain sensor is transmitted to STICS as the signal for wiper system control. The characteristics of the wiper and washer system including basic functions of manual wiper are as follows.



1. Wiper function coupled auto washer

When the key is on and the front wiper switch is off and this switch is pressed, washer fluid will be sprayed and the wiper will automatically operate 4 times. Then, the fluid will be sprayed again and the wiper will automatically operate 3 times.

2. Integrated auto light sensor in rain sensor unit

The rain sensor unit is installed on a proper location to detect the rain drops and the illumination intensity. When the wiper is in operation in LO mode by the rain sensor, the headlamps come on if the light switch is in AUTO to secure the visibility in rain. To control the system, the sensed values of rain sensor and auto light sensor are sent to pin no. 63 in STICS unit.

3. Rear washer fluid supply system

There is no separation of washer fluid reservoir for the rear washer system in this vehicle. The rear washer system uses the front washer fluid reservoir.

Modification basis	
Application basis	
Affected VIN	

WIPER
undefined

FUSE & RELAYS

RKSTICS

IMMOBILIZER

CLUSTER

SPWM

SEAT WARMER

SWITCH

WIPER & WASHER

RAIN SENSOR

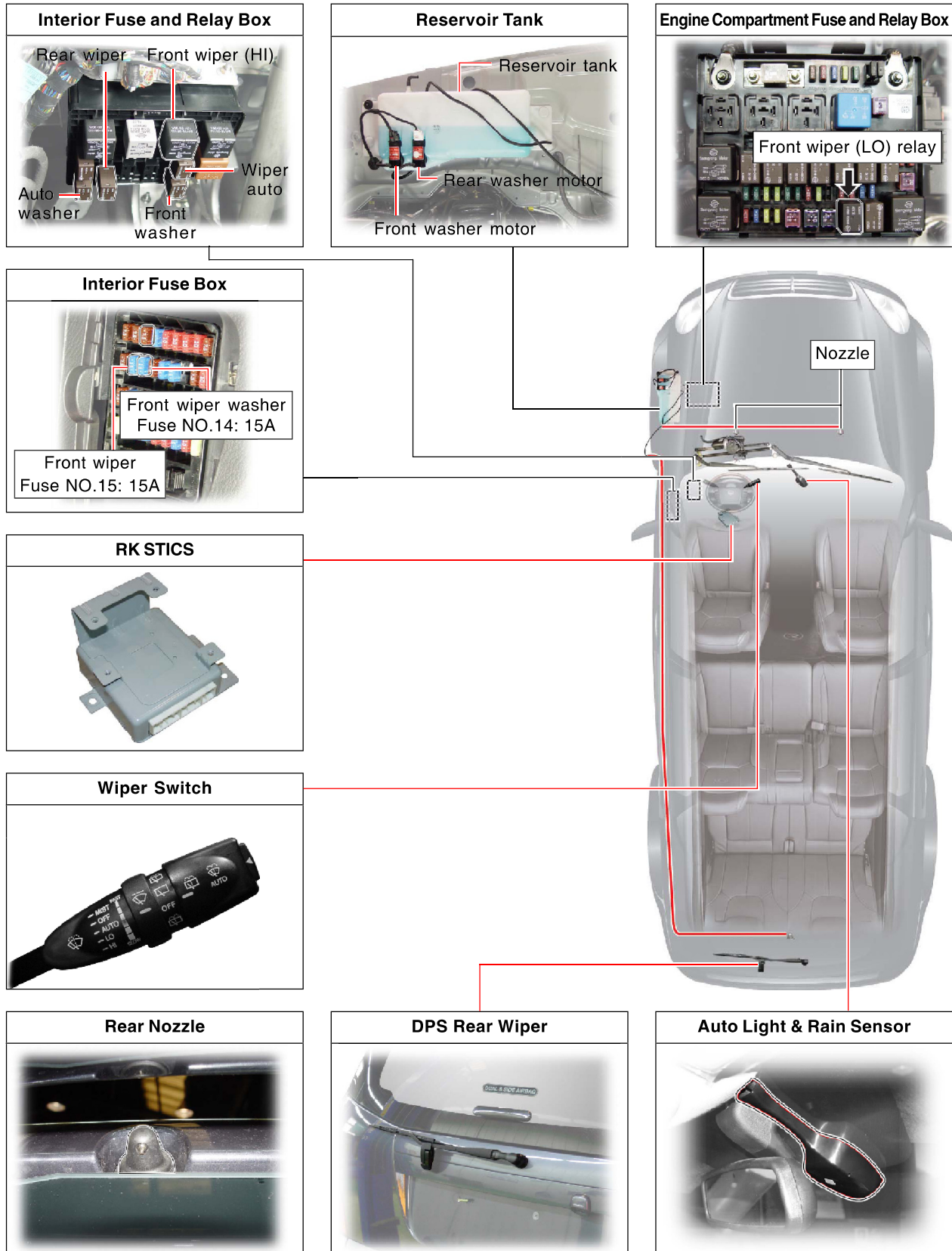
LAMP

MULTI JACK

PARKING AID

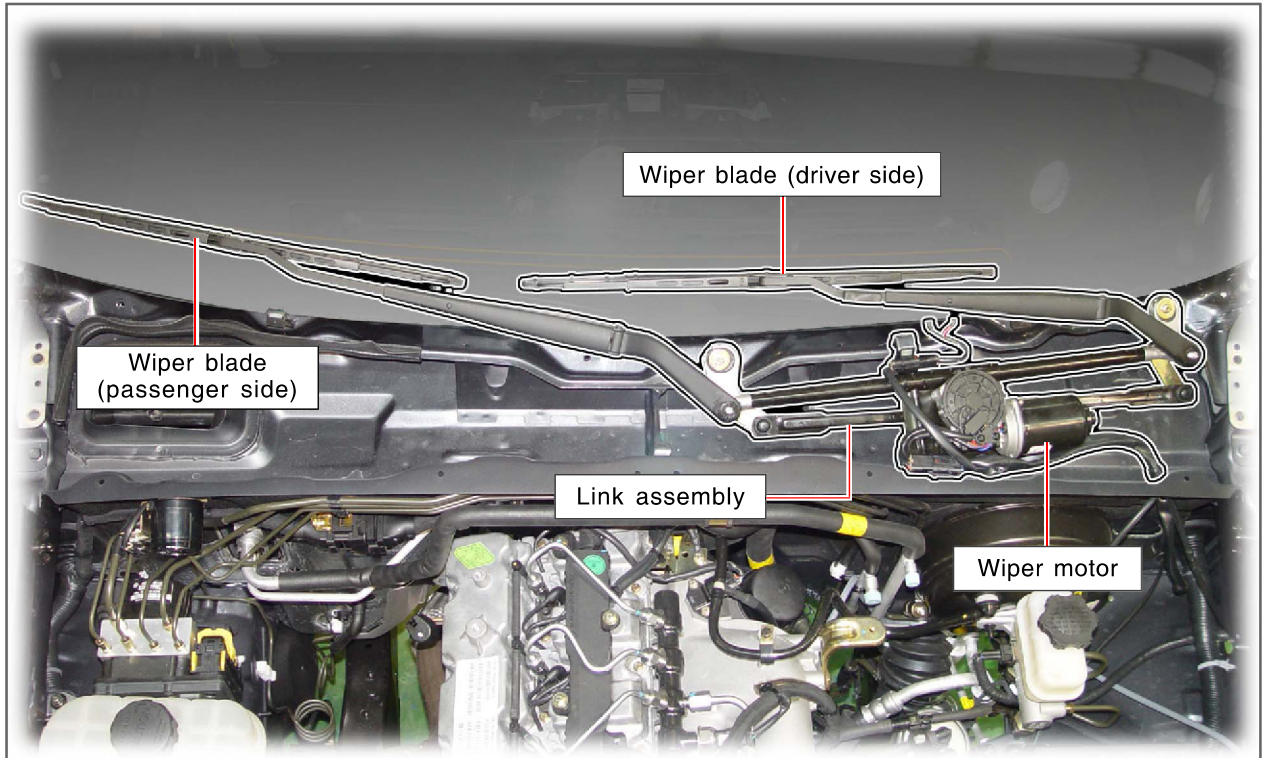
AV SYSTEM

2. SYSTEM LAYOUT



Modification basis	
Application basis	
Affected VIN	

► Layout of Front Wiper

FUSE &
RELAYS

RKSTICS

IMMOBIL
IZERCLUSTE
R

SPWM

SEAT
WARMER

SWITCH

WIPER &
WASHERRAIN
SENSOR

LAMP

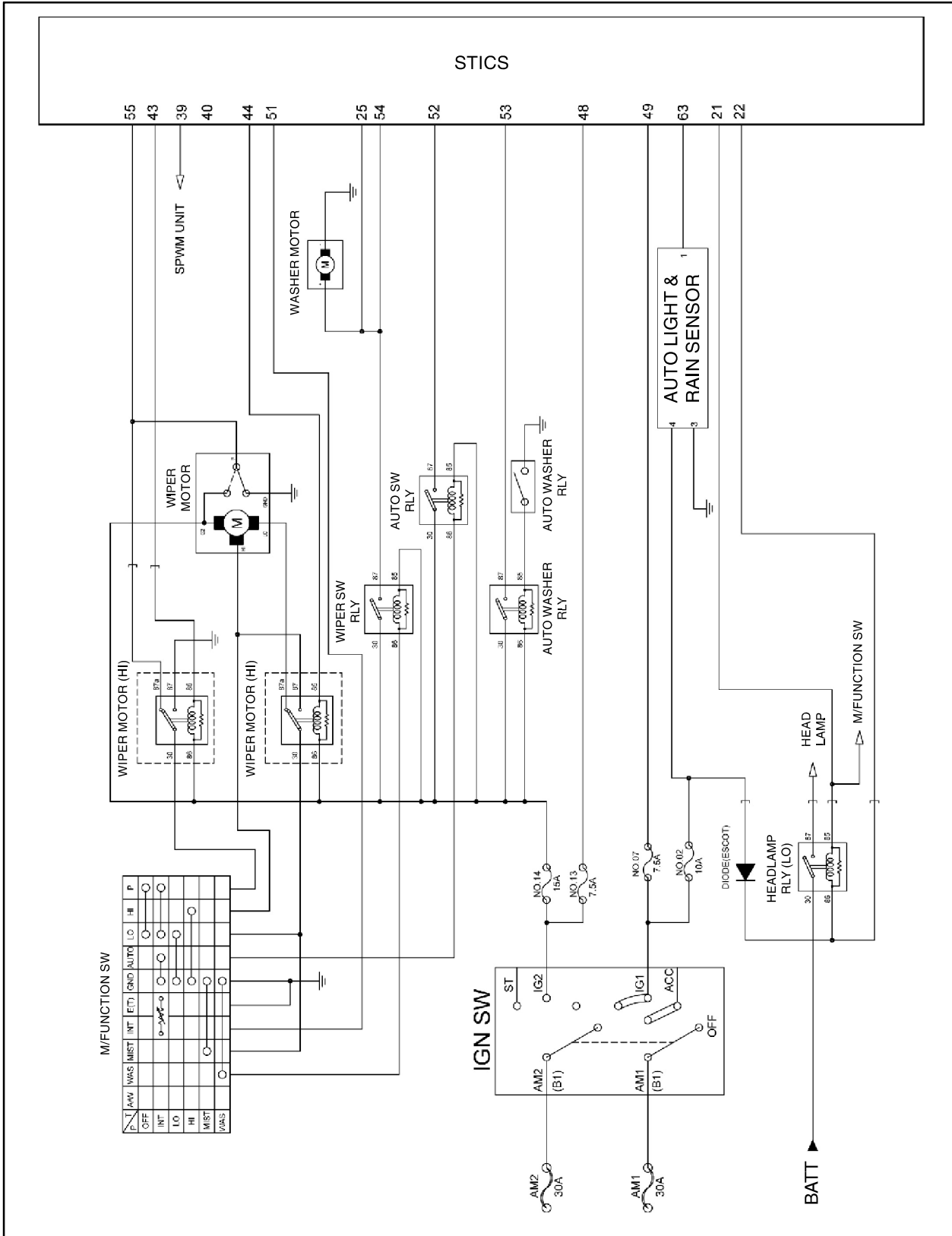
MULTI
JACKPARKING
AIDAV
SYSTEM

Modification basis	
Application basis	
Affected VIN	

WIPER
undefined

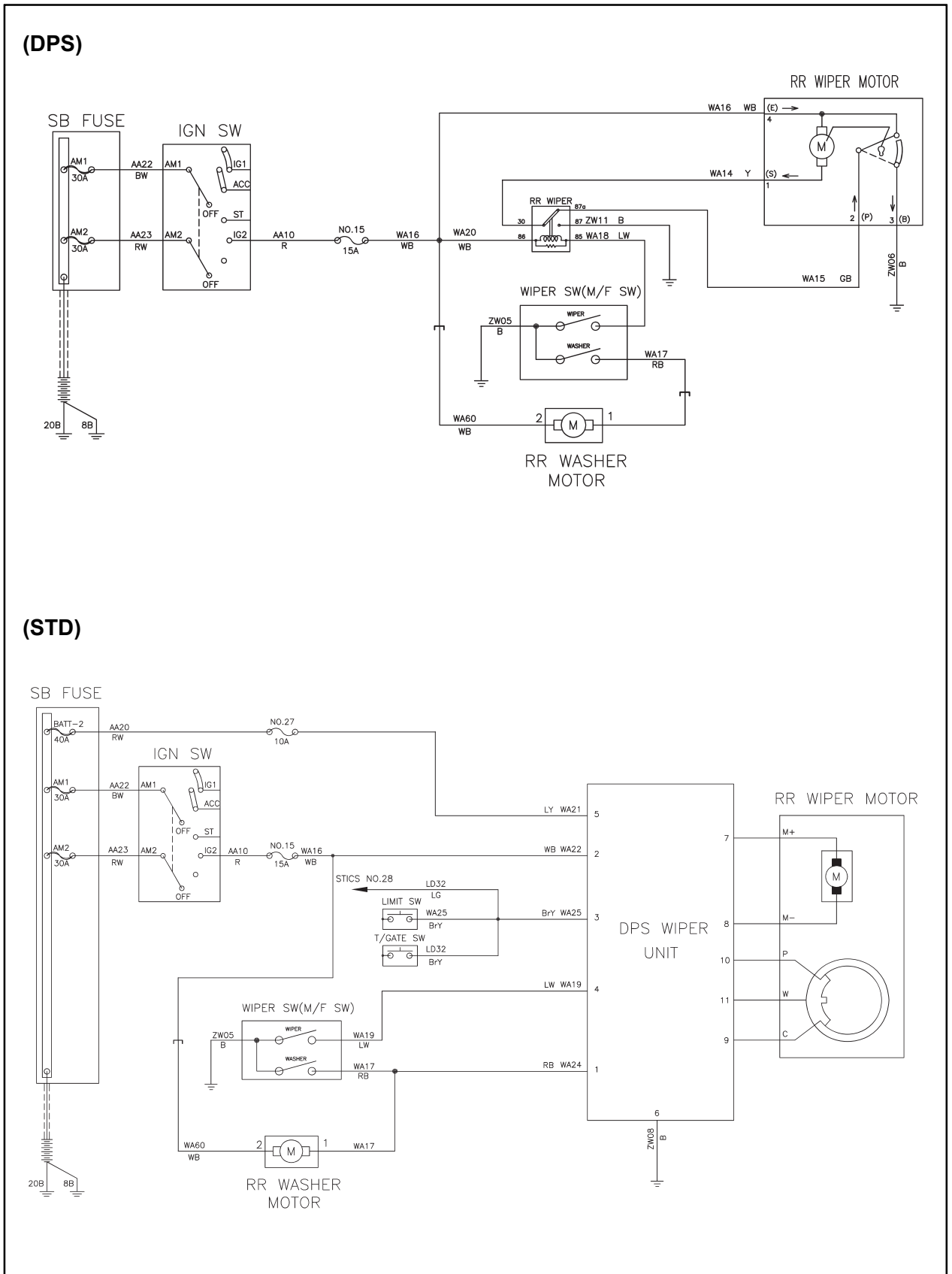
3. CIRCUIT DIAGRAM

1) Front Wiper and Washer



Modification basis	
Application basis	
Affected VIN	

2) Rear Wiper and Washer



Modification basis	
Application basis	
Affected VIN	

WIPER
undefined

FUSE & RELAYS

RKSTICS

IMMOBILIZER

CLUSTER

SPWM

SEAT WARMER

SWITCH

WIPER & WASHER

RAIN SENSOR

LAMP

MULTI JACK

PARKING AID

AV SYSTEM