

ENGINE INFORMATION

0000-00

INDEX

ENGINE INFORMATION

GENERAL

1. COMPONENT LOCATOR.....	4
2. DESCRIPTION AND OPERATION.....	7



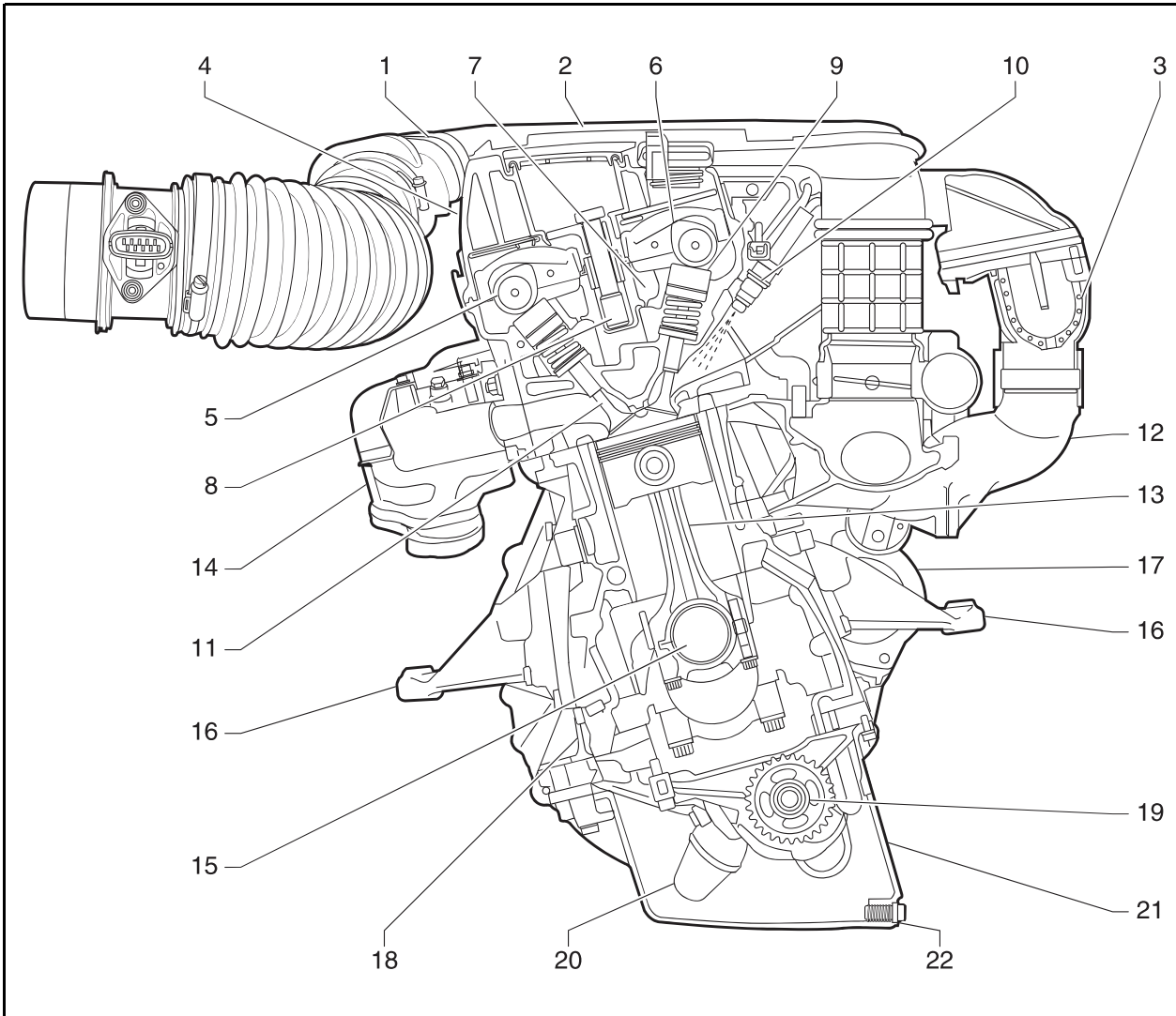
ENGINE GENERAL

0000-00

GENERAL

1. COMPONENT LOCATOR

1) Front View



ENGINE INFORMATION

undefined

Modification basis	
Application basis	
Affected VIN	

► Front View

NO.	FUNCTION	NO.	FUNCTION
1	HFM sensor	12	Intake manifold
2	Intake air duct	13	Connecting rod
3	Resonance flap	14	Exhaust manifold
4	Cylinder head cover	15	Crankshaft
5	Exhaust camshaft	16	Engine mounting
6	Intake camshaft	17	Starter
7	Cylinder head	18	Crankcase
8	Spark plug connector	19	Oil pump sprocket
9	Valve tappet	20	Oil strainer
10	Injector	21	Oil pan
11	Exhaust valve	22	Drain plug

ENGINE
INFORMA

ENGINE
ASSEMBL

ENGINE
FUEL

ENGINE
INTAKE

ENGINE
EXHAUST

LUBRICA
TION

COOLING
SYSTEM

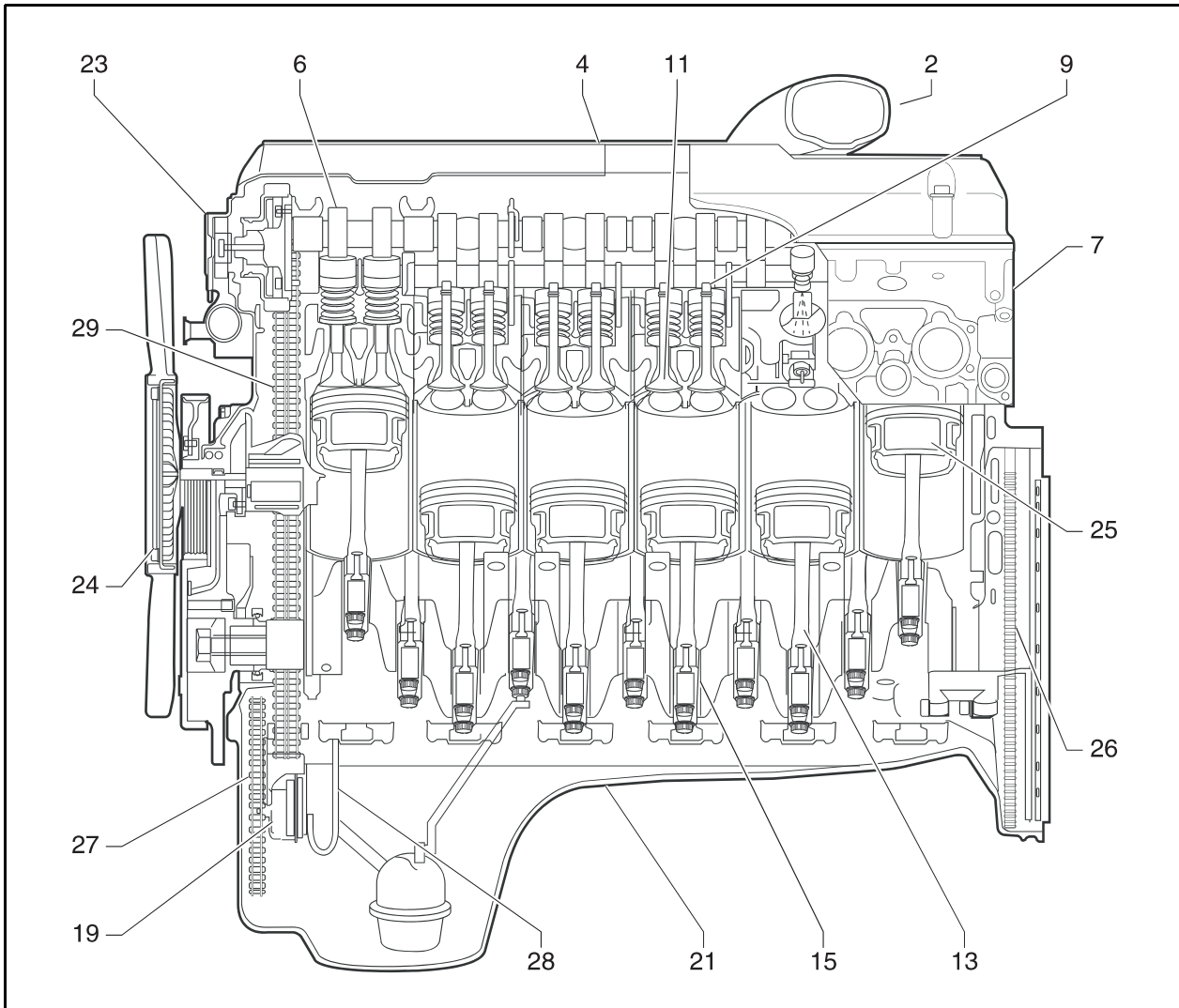
ENGINE
ELECTRI

ENGINE
CONTRO

CRUISE
CONTRO

Modification basis	
Application basis	
Affected VIN	

2) SIDE VIEW



NO.	FUNCTION	NO.	FUNCTION
23	Camshaft adjuster	27	Oil pump drive chain
24	Cooling fan and viscous clutch	28	Oil return pipe
25	Piston	29	Timing chain
26	Flywheel of drive plate		

ENGINE INFORMATION

undefined

Modification basis	
Application basis	
Affected VIN	

2. DESCRIPTION AND OPERATION

1) Cleanliness And Care


An automobile engine is a combination of many machined, honed, polished and lapped surfaces with tolerances that are measured in the ten-thousandths of an inch. When any internal engine parts are serviced, care and cleanliness are important. A liberal coating of engine oil should be applied to friction areas during assembly, to protect and lubricate the surfaces on initial operation.

Proper cleaning and protection of machined surfaces and friction areas is part of the repair procedure. This is considered standard shop practice even if not specifically stated.


Whenever valve train components are removed for service, they should be kept in order.

They should be installed in the same locations, and with the same mating surfaces, as when they were removed. Battery cables should be disconnected before any major work is performed on the engine. Failure to disconnect cables may result in damage to wire harness or other electrical parts.

2) On-Engine Service

 **CAUTION**

- Disconnect the negative battery cable before removing or installing any electrical unit, or when a tool or equipment could easily come in contact with exposed electrical terminals. Disconnecting this cable will help prevent personal injury and damage to the vehicle. The ignition must also be in LOCK unless otherwise noted. Notice Any time the air cleaner is removed, the intake opening

 **CAUTION**

- Any time the air cleaner is removed, the intake opening should be covered. This will protect against accidental entrance of foreign material, which could follow the intake passage into the cylinder and cause extensive damage when the engine is started.g

ENGINE
INFORMA

ENGINE
ASSEMBL

ENGINE
FUEL

ENGINE
INTAKE

ENGINE
EXHAUST

LUBRICA
TION

COOLING
SYSTEM

ENGINE
ELECTRI

ENGINE
CONTRO

CRUISE
CONTRO

Modification basis	
Application basis	
Affected VIN	

